

PRODUCT INFORMATION PACKET

Model No: 5KH35MNA519T

Catalog No: HG703

1/2 HP Fan and Blower HVAC/R Motor, 1 phase, 1800 RPM, 115 V, 48Y Frame, OPEN
Self Cooled Motors



Regal and Marathon are trademarks of Regal Beloit Corporation or one of its affiliated companies.
©2020 Regal Beloit Corporation, All Rights Reserved. MC017097E

REGAL

Nameplate Specifications

Output HP	0.50 Hp	Output KW	0.37 kW
Frequency	60 Hz	Voltage	115 V
Current	7.9 A	Speed	1725 rpm
Service Factor	1.25	Phase	1
Efficiency	65.4 %	Power Factor	0
Duty	Continuous	Insulation Class	B
KVA Code	N	Frame	48Y
Enclosure	Open Enclosed	Thermal Protection	AUTO
Ambient Temperature	40 °C	Drive End Bearing Size	6203
Opp Drive End Bearing Size	6203	UL	Recognized
CSA	Yes	CE	N

Technical Specifications

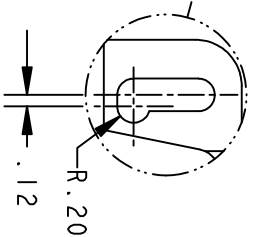
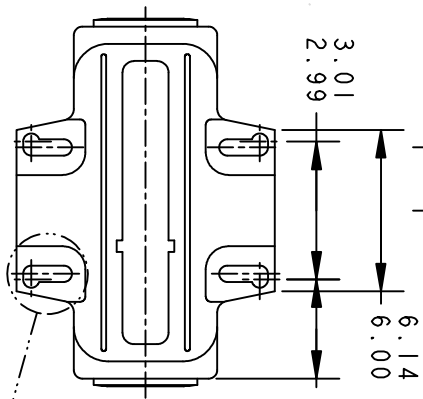
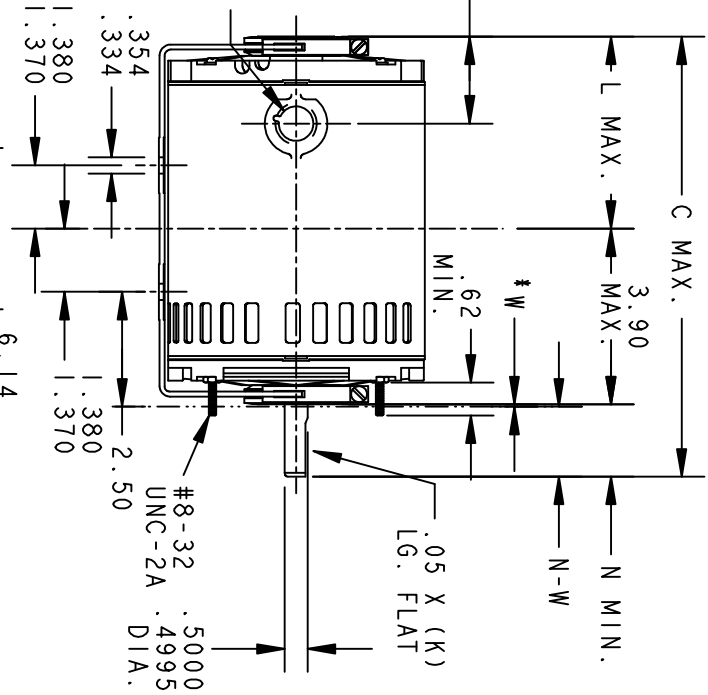
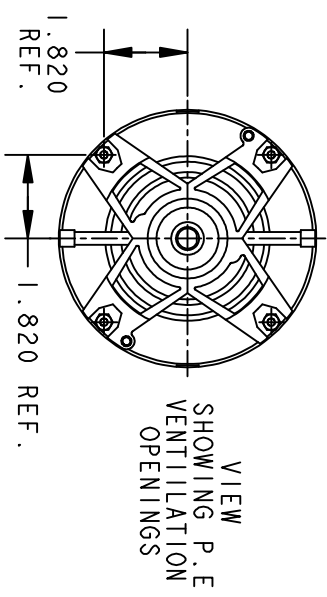
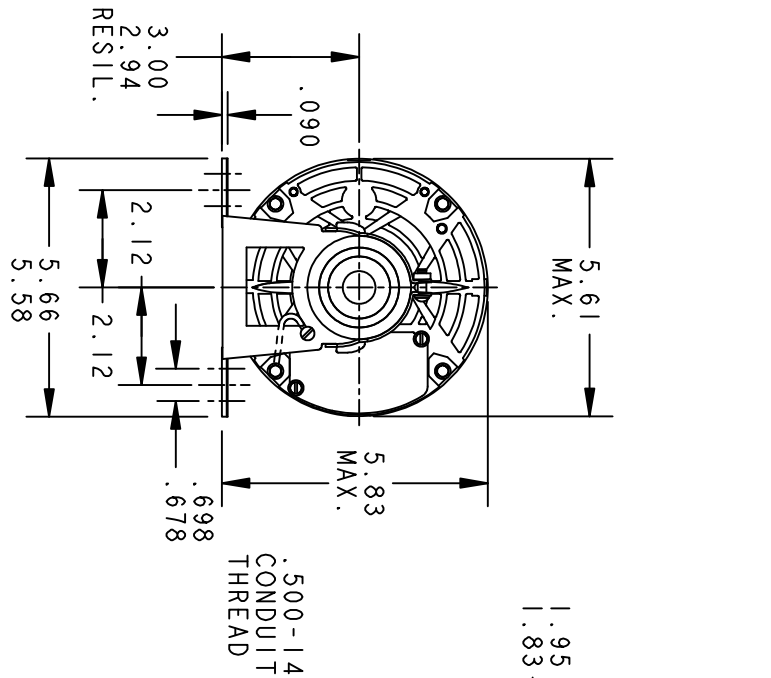
Electrical Type	Split Phase	Starting Method	SM
Poles	4	Rotation	Clockwise/Counterclockwise
Mounting	Resilient Base	Motor Orientation	ANY
Drive End Bearing	BALL	Opp Drive End Bearing	Ball
Frame Material	Rolled Steel	Overall Length	10.32 in
Frame Length	5.79 in	Shaft Diameter	0.500 in
Shaft Extension	2.25 in	Thru-bolts Extension	0 in
Connection Drawing	52A105379AA	Outline Drawing	52A113024P1

This is an uncontrolled document once printed or downloaded and is subject to change without notice. Date Created:03/11/2020

THIRD ANGLE PROJECTION		REVISIONS		
REV.	DESCRIPTION	DATE	APPROVED	

52A113024 0

SIZE A DRAWING NO.



P	TYPE	RBC SIZE	NEMA FR	C	K	L	N	N-W
2	K KH	32	48Y	9.69	1.91	3.59	2.25	2.38/2.16
1	K KH	35	48Y	10.32	1.91	4.22	2.25	2.38/2.16

* IS A CLEARANCE DUE TO VARIATION IN PARTS AND ASSEMBLY.

SIGNATURES		DATE
MODEL	PRAVEEN.K	01/03/08
DETAIL		
CHECKED		
ENGRG		
MFG		
QUALITY		
ISSUED	PRAVEEN.K	01/03/08



REGAL-BELOIT CORPORATION

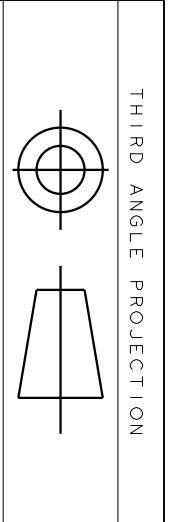
OUTLINE

TITLE
FORM N - GENERAL PURPOSE MOTOR - DRIP PROOF - RESIL.
BASE - BALL OR SLEEVE BEARING - SPECIAL MOUNTING HOLES IN BASE

SIZE A DRAWING
52A113024 REV O

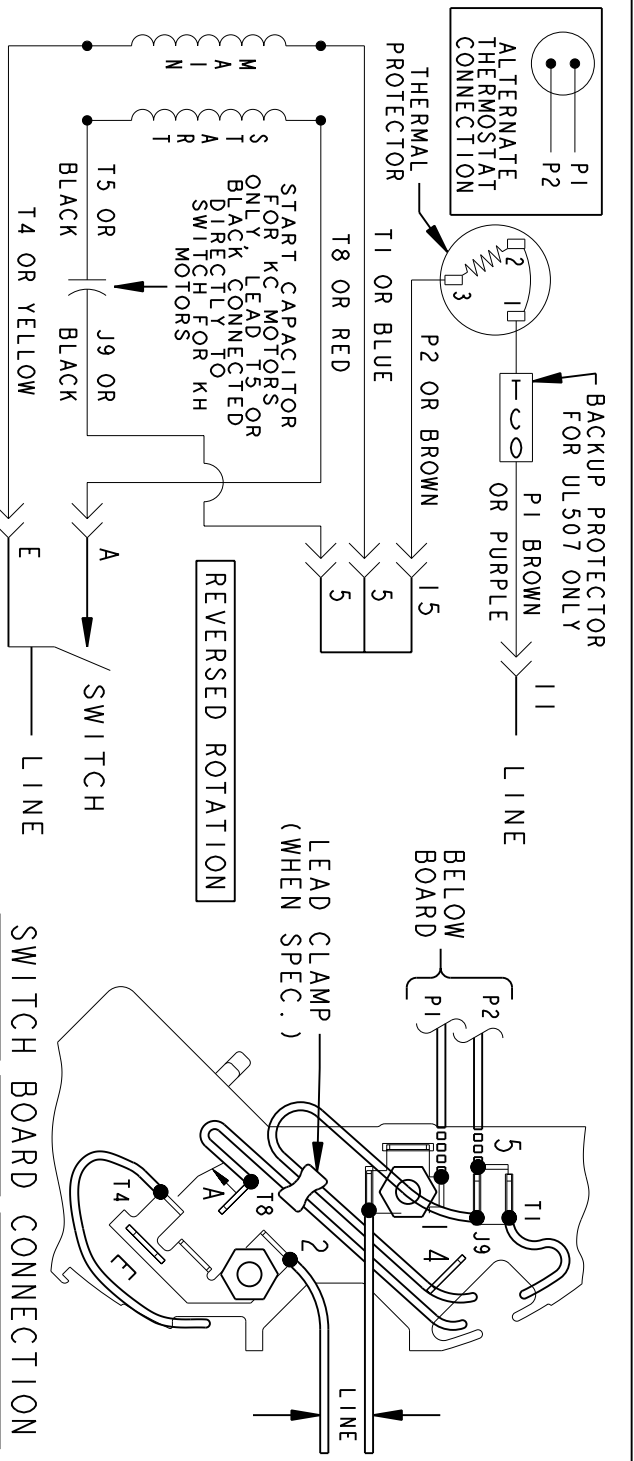
SCALE: 1.000 REF. No.: SHEET 1 of 1

FOR ADDITIONAL INFO REFER TO:		
APPLIED PRACTICES		
DIMENSIONS ARE IN INCHES		
MATERIAL	SOLID MODEL: 52A113024	



REV.	DESCRIPTION	DATE	APPROVED
6	UPDATED FORMAT	12/01/05	MAM

EITHER ROTATION-SINGLE VOLTAGE-TYPE KC OR KH-WITH THERMAL PROTECTOR



NOTE #1 - TO REVERSE ROTATION INTERCHANGE RED (T8) AND BLACK (J9-KC OR T5-KH) LEADS.
 NOTE #2 - WHEN MORE THAN ONE CAPACITOR IS USED CONNECT IN PARALLEL.

SWITCH (C) - 115D958AB REF. DIAG. - 121A851 CONN. LABEL - 52X332048

SIGNATURES	DATE
MODEL M.D.PAPE	06/29/87
DETAIL	
CHECKED	
ENGRG	
MFG	
QUALITY	
ISSUED	M.D.P. 03/08/00
SOLID MODEL: 52A105379AA	

REGAL-BELOIT CORPORATION

REGAL-BELOIT

TITLE: **CONNECTION DIAGRAM**

SIZE: DRAWING A

SCALE: 1.000 REF. No.:

30 FR SWITCH REDESIGN

52A105379AA

REV 6